

## BOTTOM OF WALL DETAIL

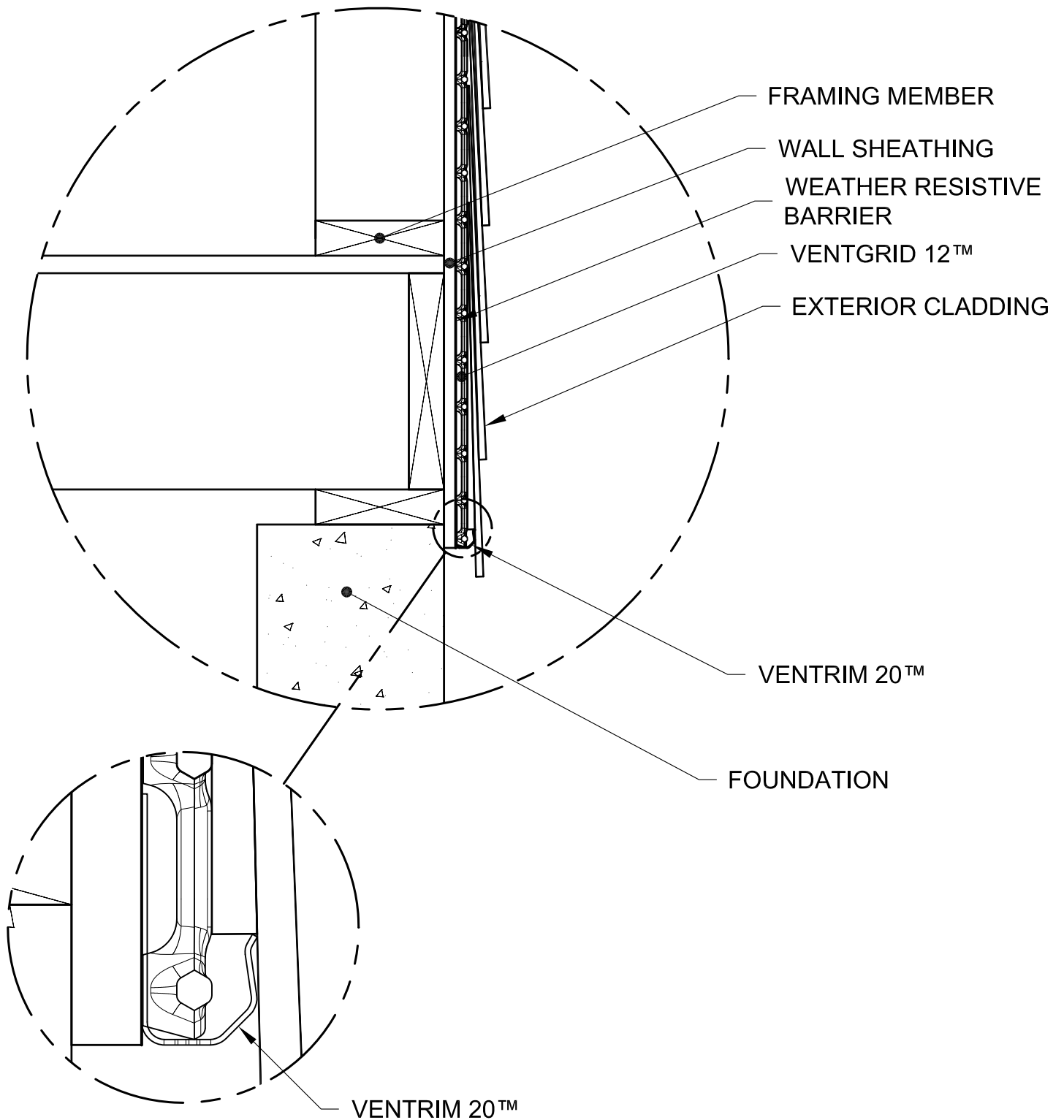
VENTGRID 12™ & VENTRIM 20™

NOT TO SCALE

ASSEMBLY SHOWN WITH PROFILED WOOD SIDING

VG12-000





## BOTTOM OF WALL DETAIL

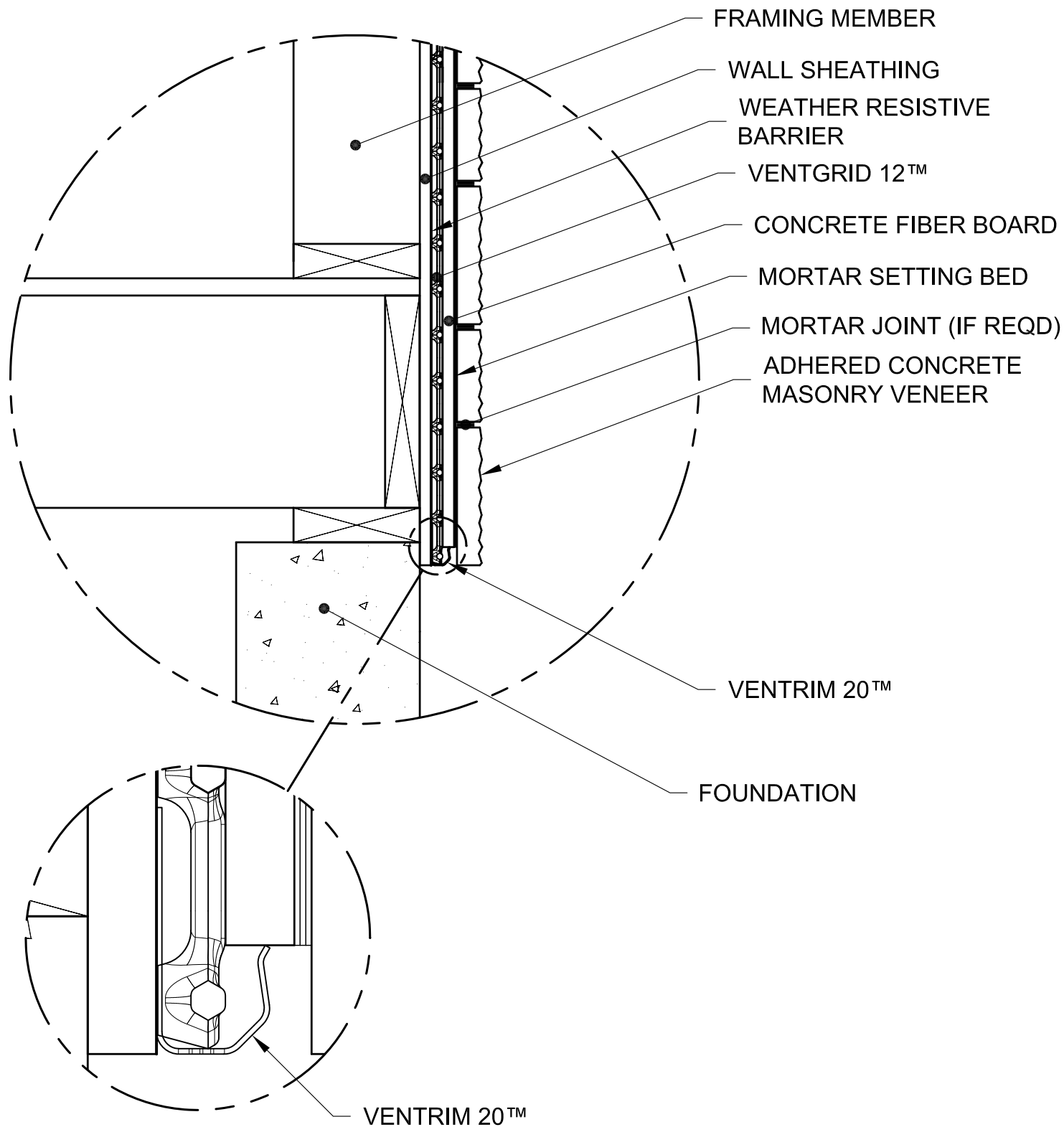
VENTGRID 12™ & VENTRIM 20™

NOT TO SCALE

ASSEMBLY SHOWN WITH WOODEN SHINGLE SIDING

VG12-001





## BOTTOM OF WALL DETAIL

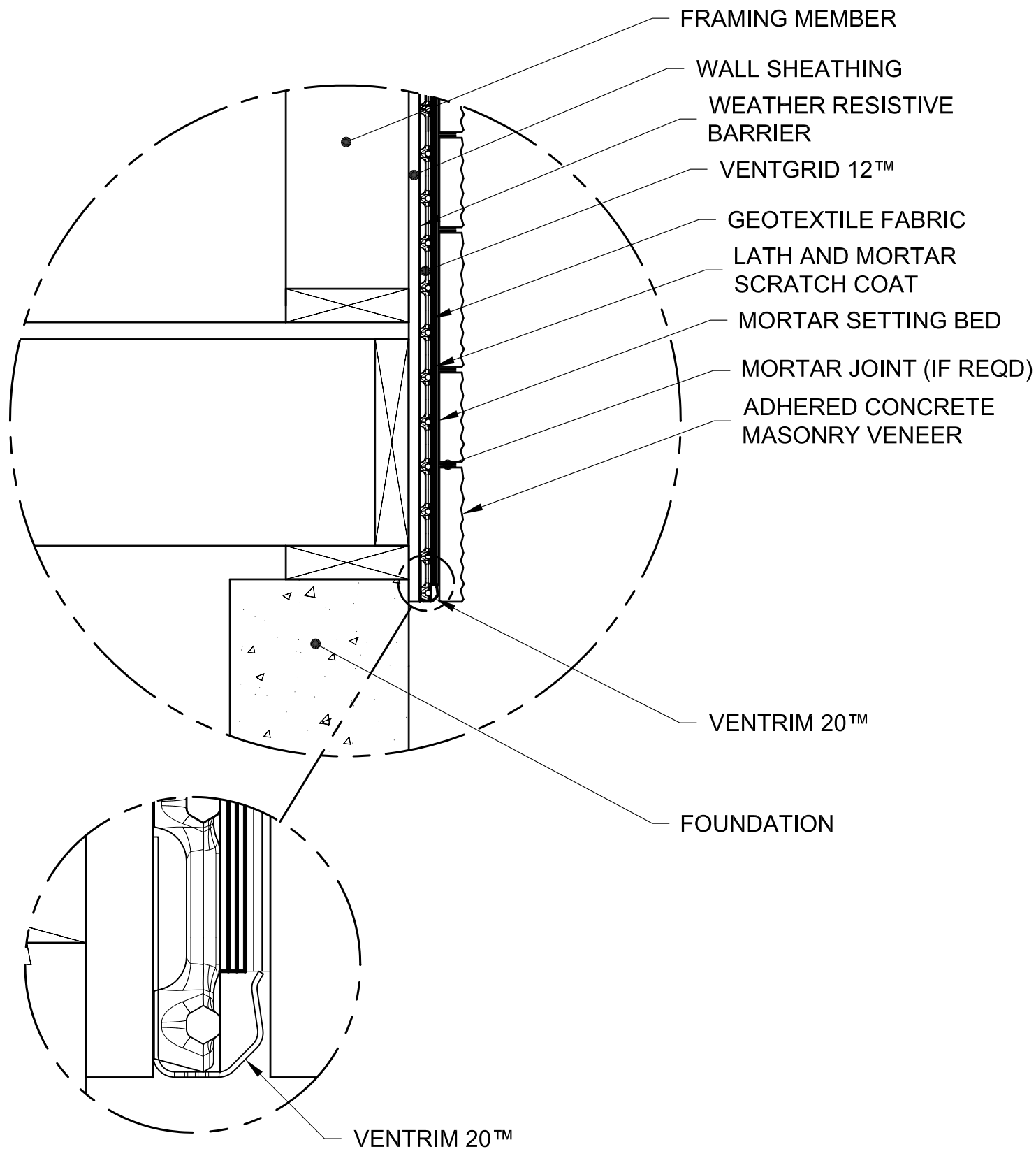
VENTGRID 12™ & VENTRIM 20™

NOT TO SCALE

ASSEMBLY SHOWN WITH ADHERED CONCRETE MASONRY VENEER  
ON CONCRETE FIBER BOARD

VG12-002





## BOTTOM OF WALL DETAIL

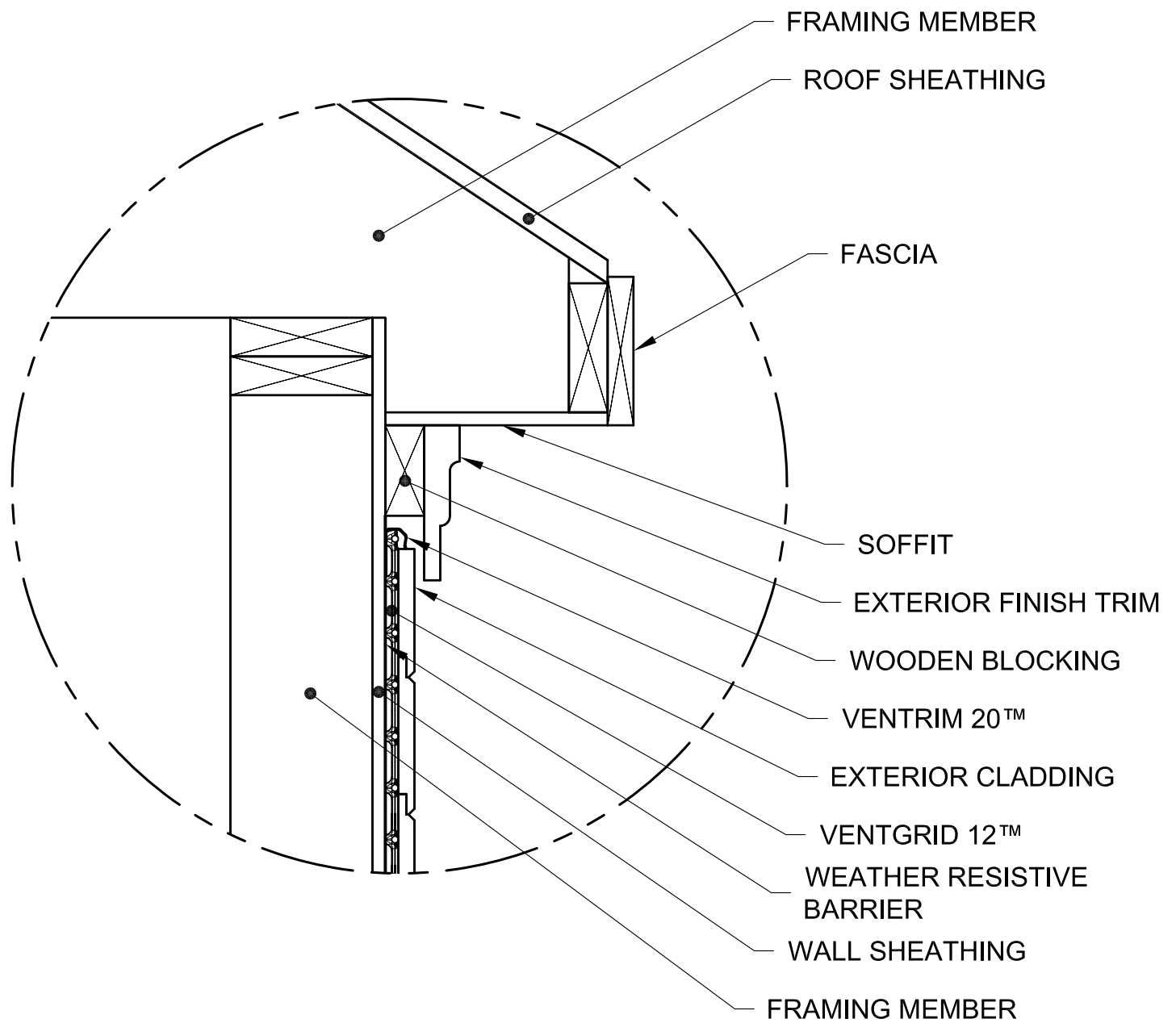
VENTGRID 12™ & VENTRIM 20™

NOT TO SCALE

ASSEMBLY SHOWN WITH ADHERED CONCRETE MASONRY VENEER  
ON LATH AND MORTAR SCRATCH COAT

VG12-003





## ROOF EDGE & TOP OF WALL DETAIL

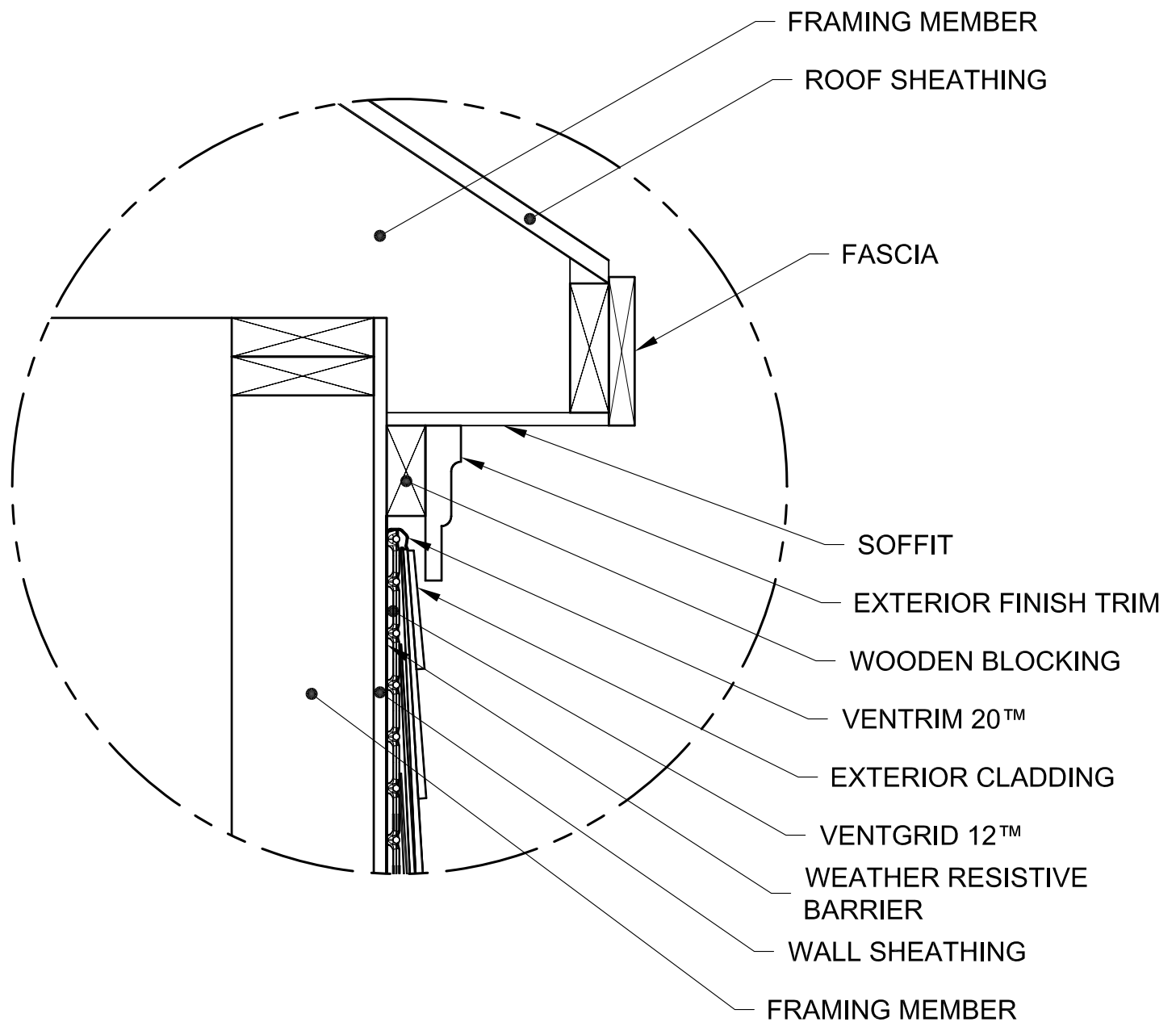
VENTGRID 12™ & VENTRIM 20™

NOT TO SCALE

ASSEMBLY SHOWN WITH PROFILED WOOD SIDING

VG12-100





## ROOF EDGE & TOP OF WALL DETAIL

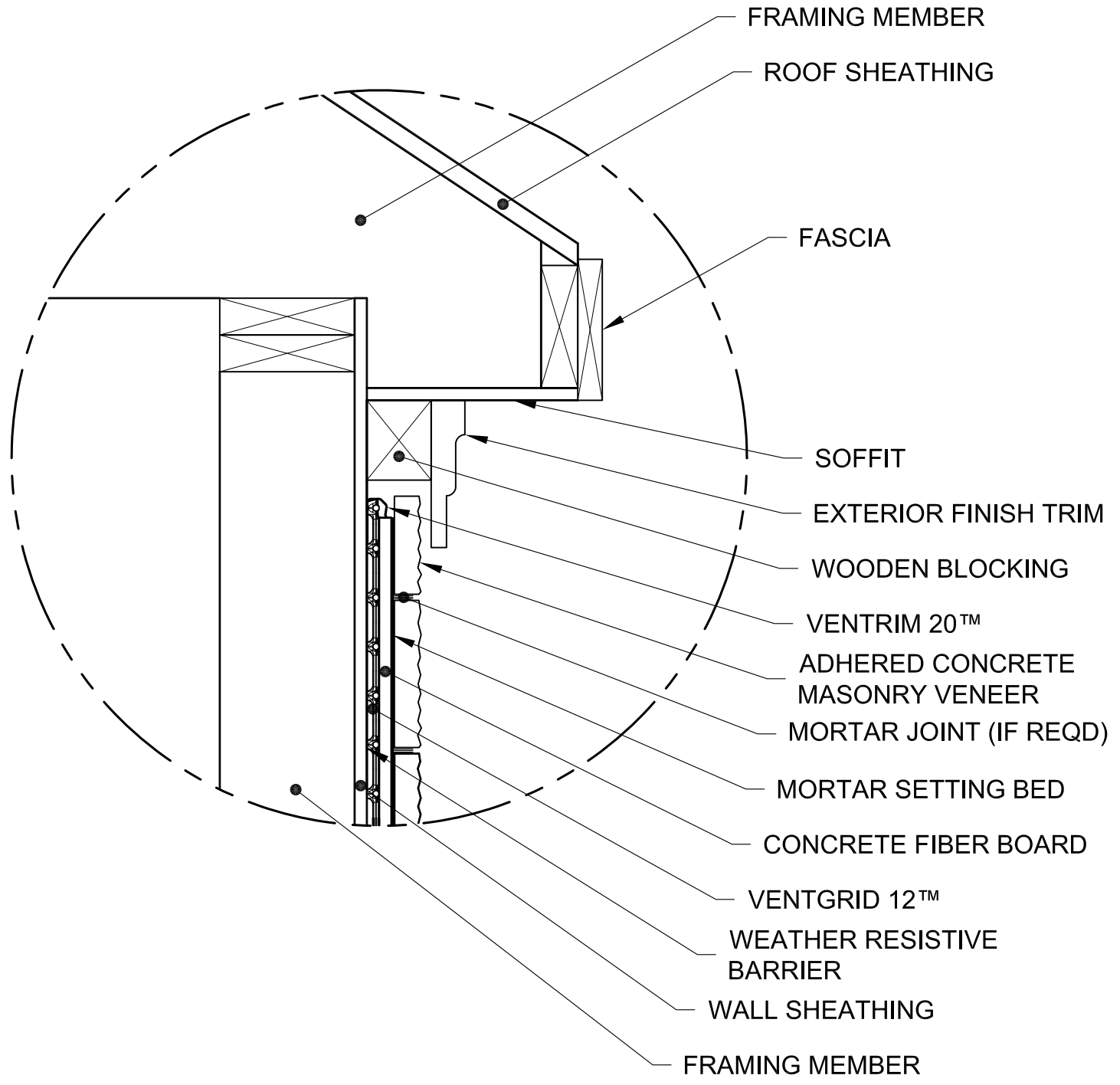
VENTGRID 12™ & VENTRIM 20™

NOT TO SCALE

ASSEMBLY SHOWN WITH WOODEN SHINGLE SIDING

VG12-101





## ROOF EDGE & TOP OF WALL DETAIL

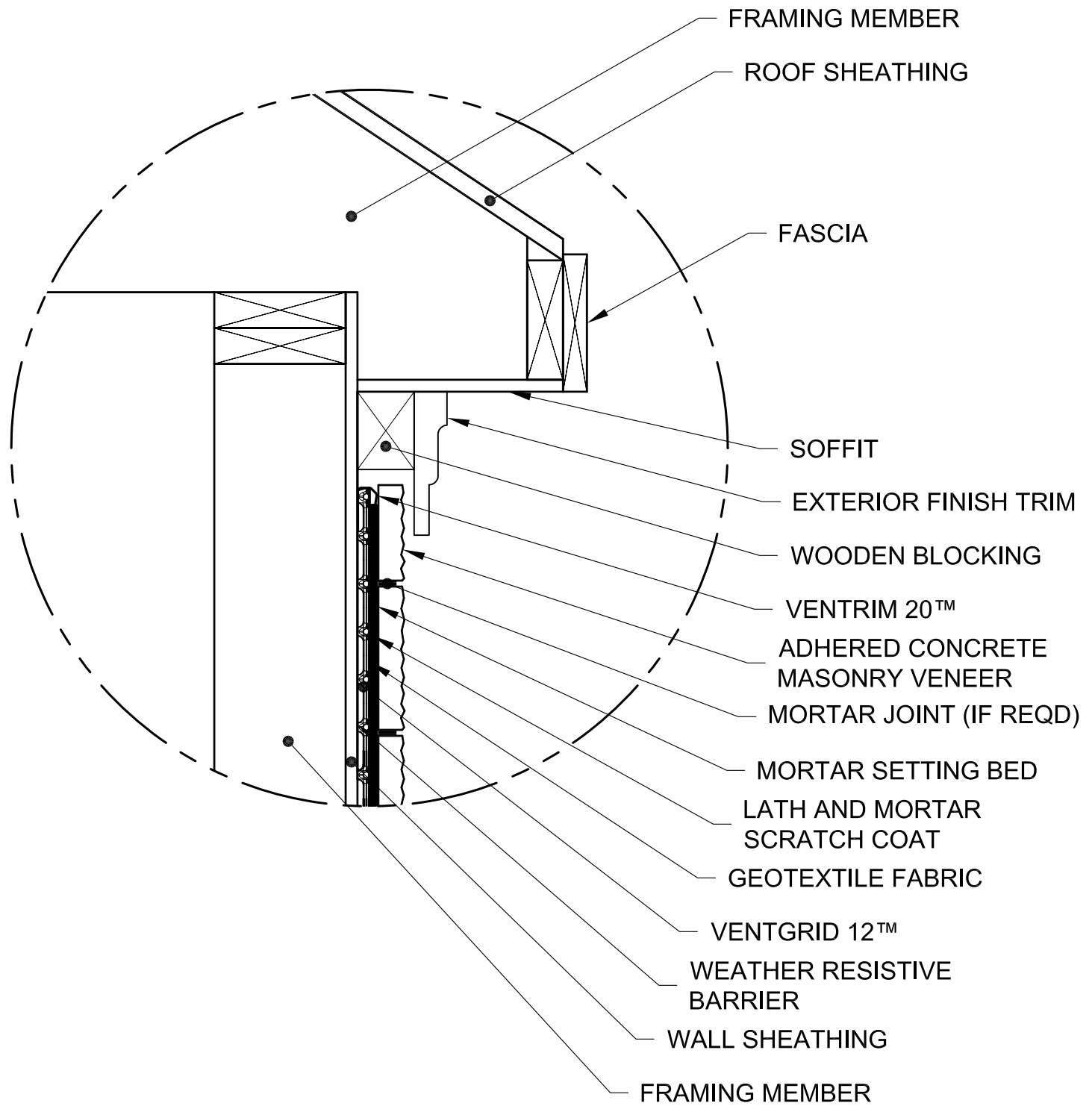
VENTGRID 12™ & VENTRIM 20™

NOT TO SCALE

ASSEMBLY SHOWN WITH ADHERED CONCRETE MASONRY VENEER  
ON CONCRETE FIBER BOARD

VG12-102





## ROOF EDGE & TOP OF WALL DETAIL

VENTGRID 12™ & VENTRIM 20™

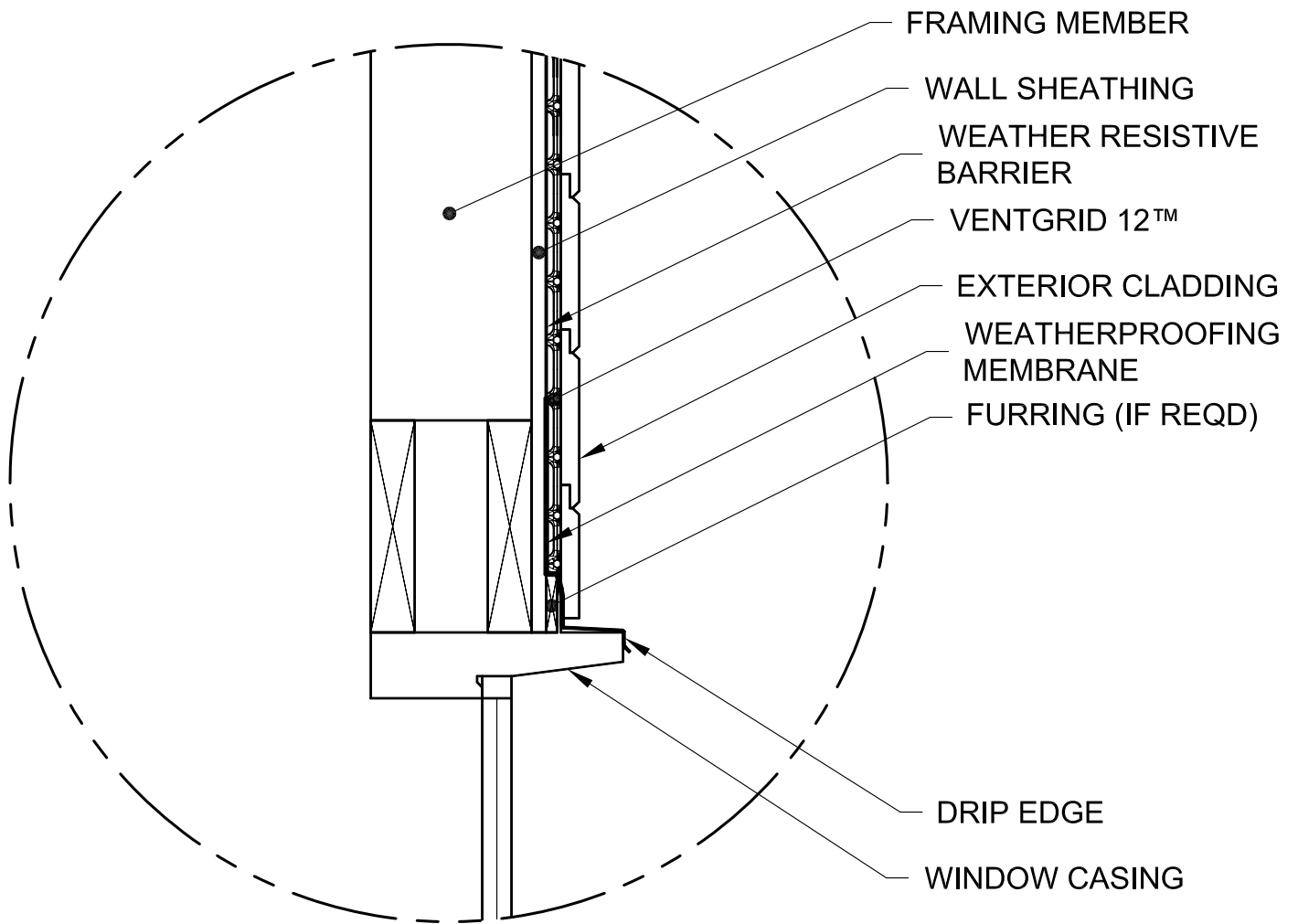
NOT TO SCALE

ASSEMBLY SHOWN WITH ADHERED CONCRETE MASONRY VENEER  
ON LATH AND MORTAR SCRATCH COAT

VG12-103







## WINDOW HEAD DETAIL

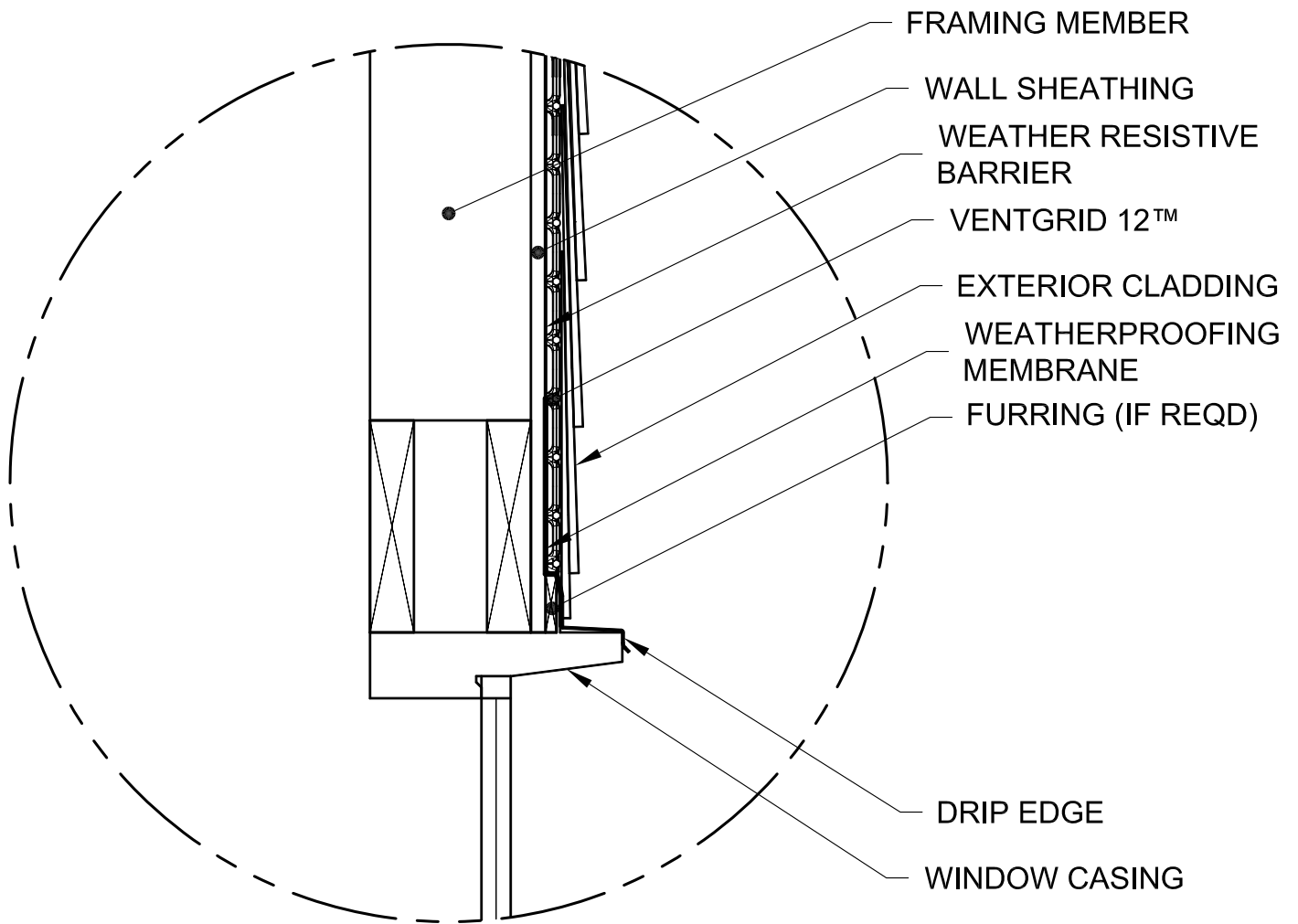
VENTGRID 12™

NOT TO SCALE

ASSEMBLY SHOWN WITH PROFILED WOOD SIDING

VG12-200





# WINDOW HEAD DETAIL

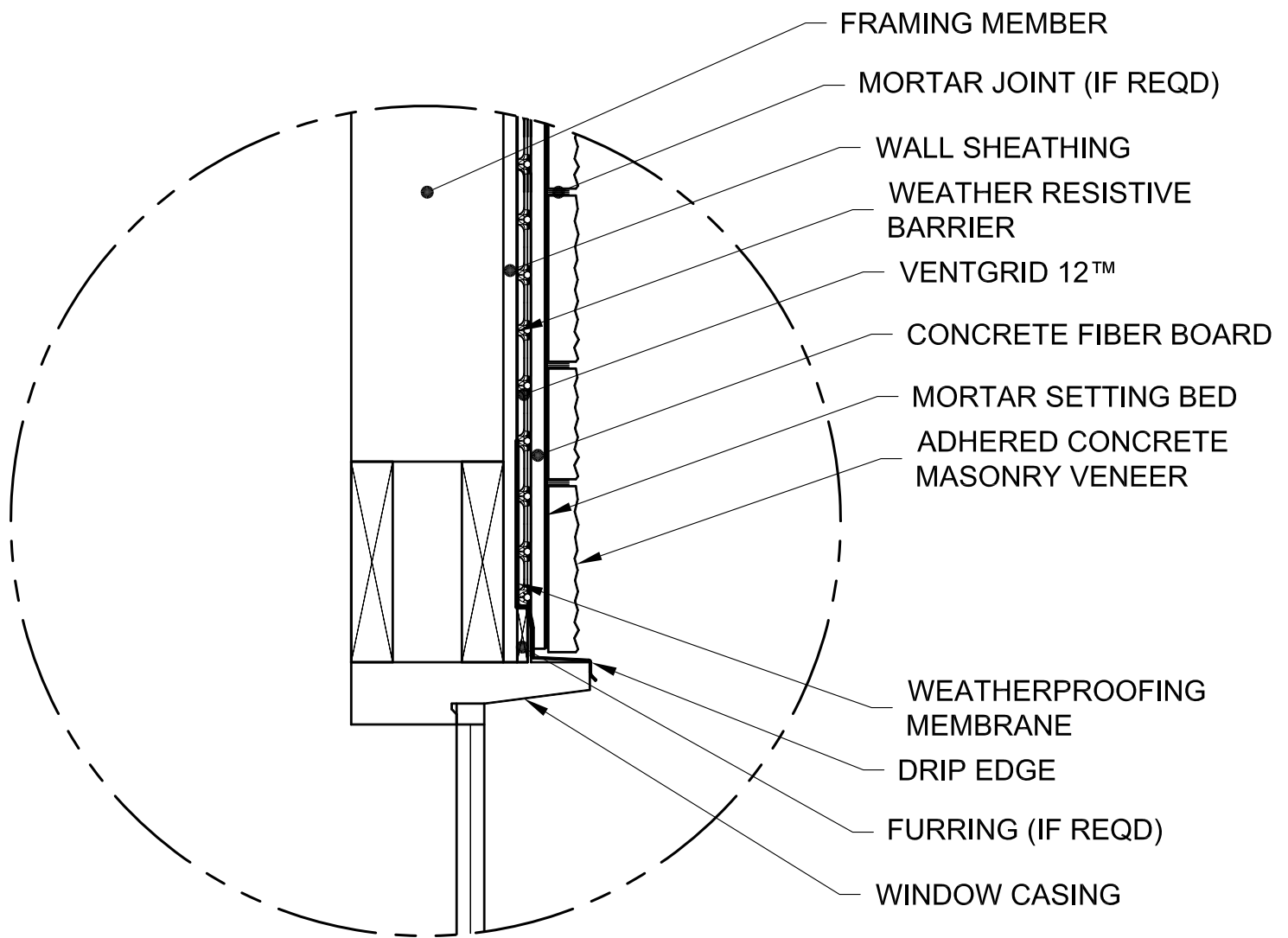
VENTGRID 12™

NOT TO SCALE

ASSEMBLY SHOWN WITH WOODEN SHINGLE SIDING

VG12-201





## WINDOW HEAD DETAIL

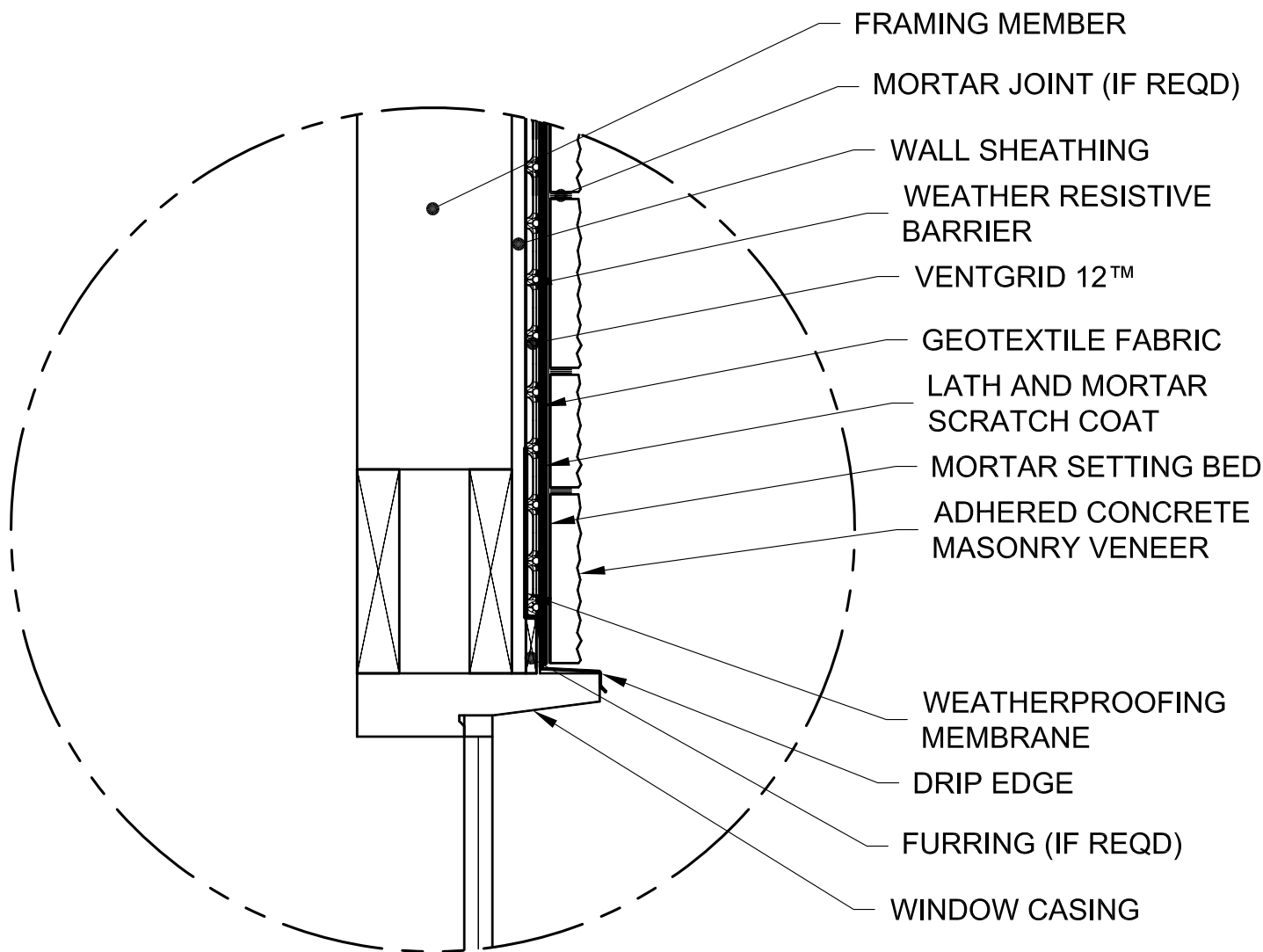
VENTGRID 12™

NOT TO SCALE

ASSEMBLY SHOWN WITH ADHERED CONCRETE MASONRY VENEER  
ON CONCRETE FIBER BOARD

VG12-202





- FRAMING MEMBER
- MORTAR JOINT (IF REQD)
- WALL SHEATHING
- WEATHER RESISTIVE BARRIER
- VENTGRID 12™
- GEOTEXTILE FABRIC
- LATH AND MORTAR SCRATCH COAT
- MORTAR SETTING BED
- ADHERED CONCRETE MASONRY VENEER
- WEATHERPROOFING MEMBRANE
- DRIP EDGE
- FURRING (IF REQD)
- WINDOW CASING

# WINDOW HEAD DETAIL

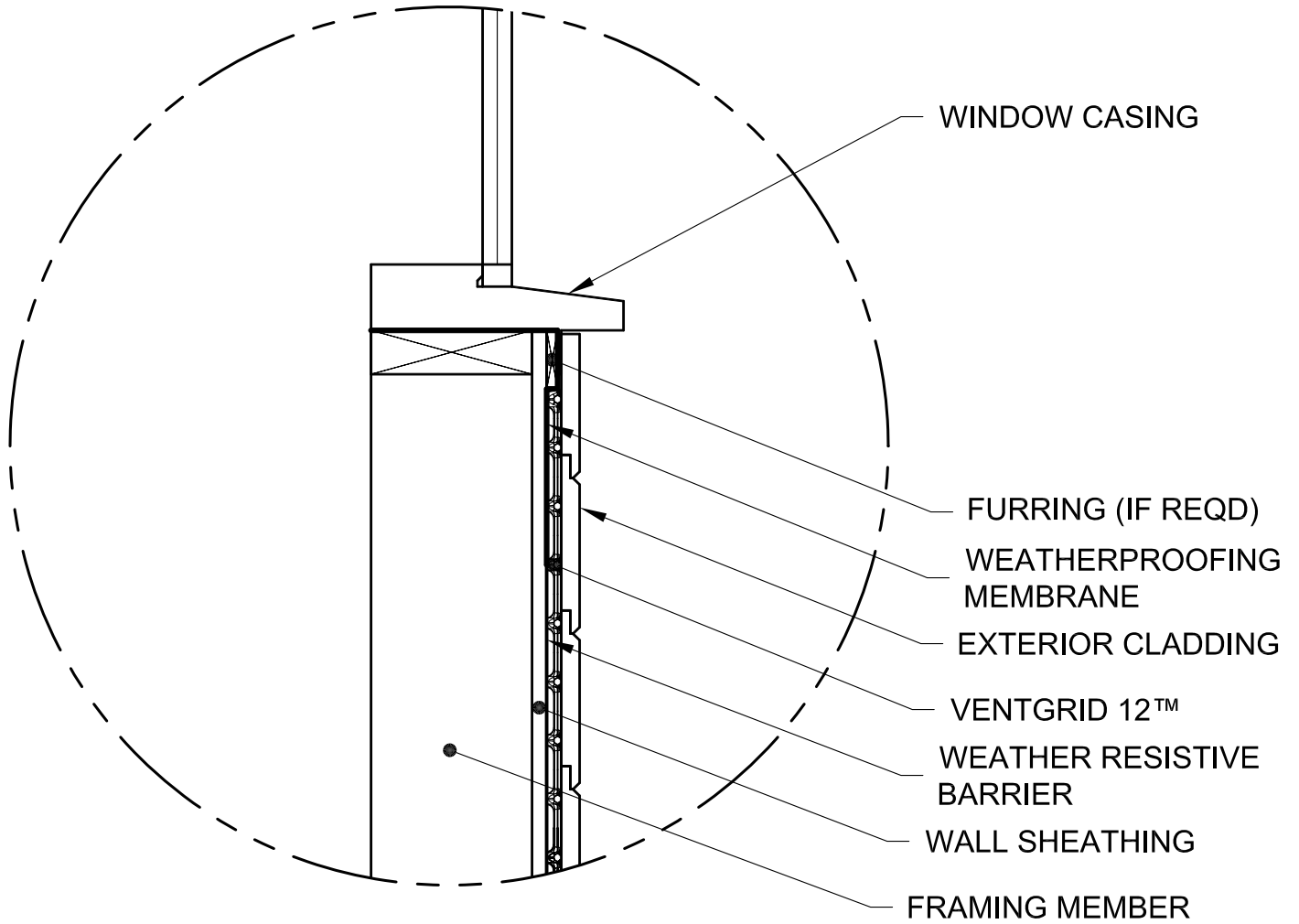
VENTGRID 12™

NOT TO SCALE

ASSEMBLY SHOWN WITH ADHERED CONCRETE MASONRY VENEER ON LATH AND MORTAR SCRATCH COAT

VG12-203





# WINDOW SILL DETAIL

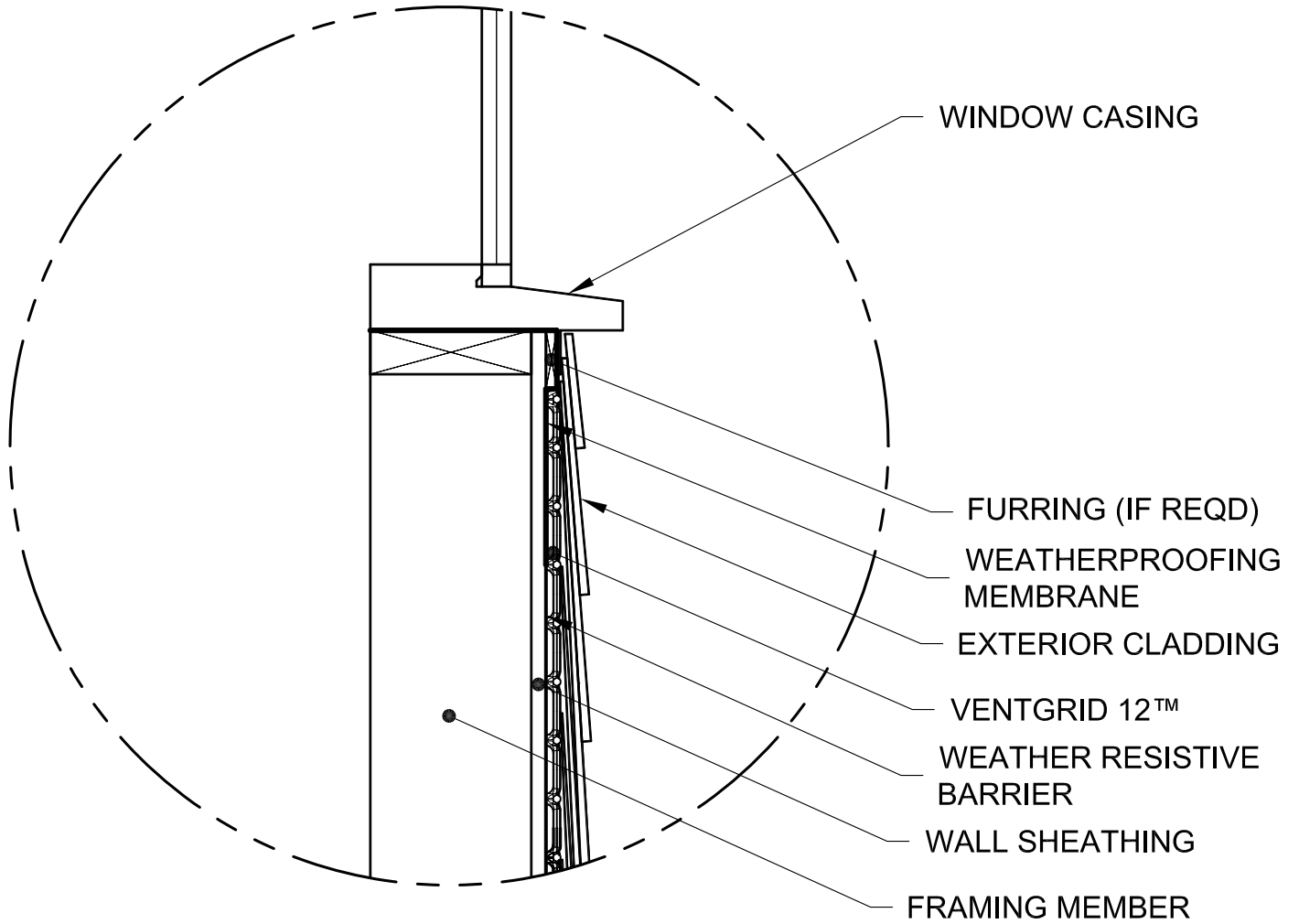
VENTGRID 12™

NOT TO SCALE

ASSEMBLY SHOWN WITH PROFILED WOOD SIDING

VG12-300





## WINDOW SILL DETAIL

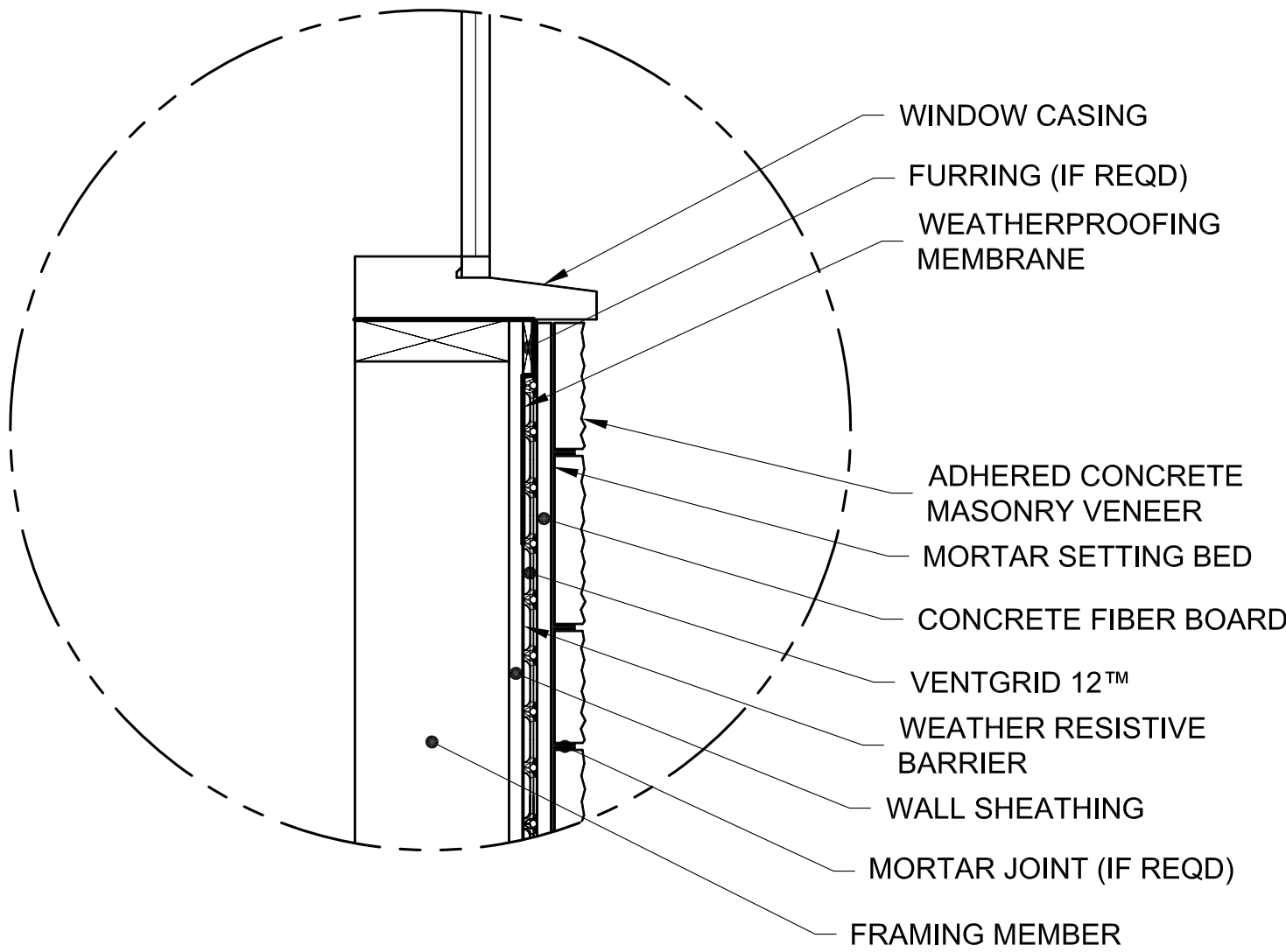
VENTGRID 12™

NOT TO SCALE

ASSEMBLY SHOWN WITH WOODEN SHINGLE SIDING

VG12-301





- WINDOW CASING
- FURRING (IF REQD)
- WEATHERPROOFING MEMBRANE
- ADHERED CONCRETE MASONRY VENEER
- MORTAR SETTING BED
- CONCRETE FIBER BOARD
- VENTGRID 12™
- WEATHER RESISTIVE BARRIER
- WALL SHEATHING
- MORTAR JOINT (IF REQD)
- FRAMING MEMBER



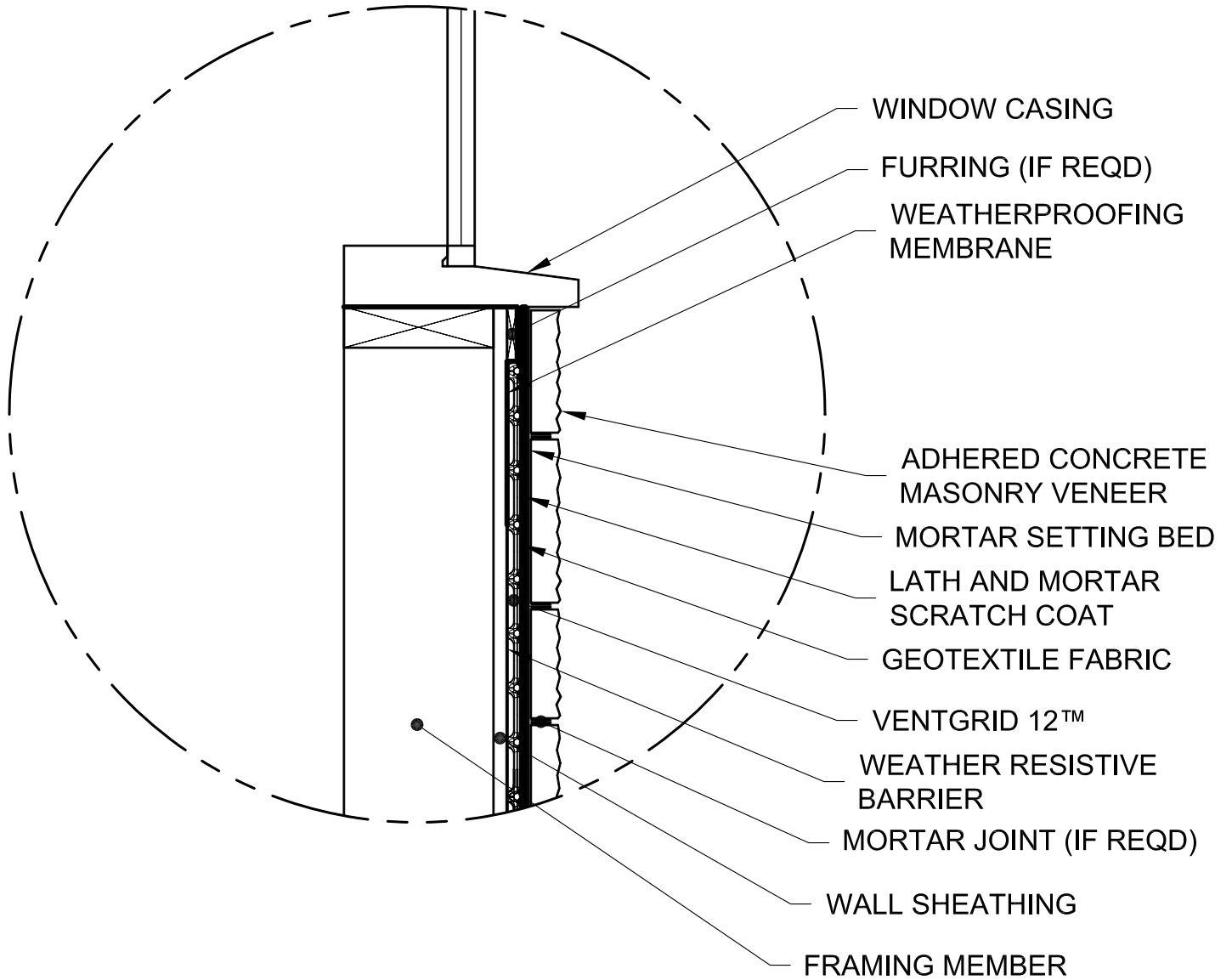
# WINDOW SILL DETAIL

VENTGRID 12™

NOT TO SCALE

ASSEMBLY SHOWN WITH ADHERED CONCRETE MASONRY VENEER ON CONCRETE FIBER BOARD

VG12-302



## WINDOW SILL DETAIL

VENTGRID 12™

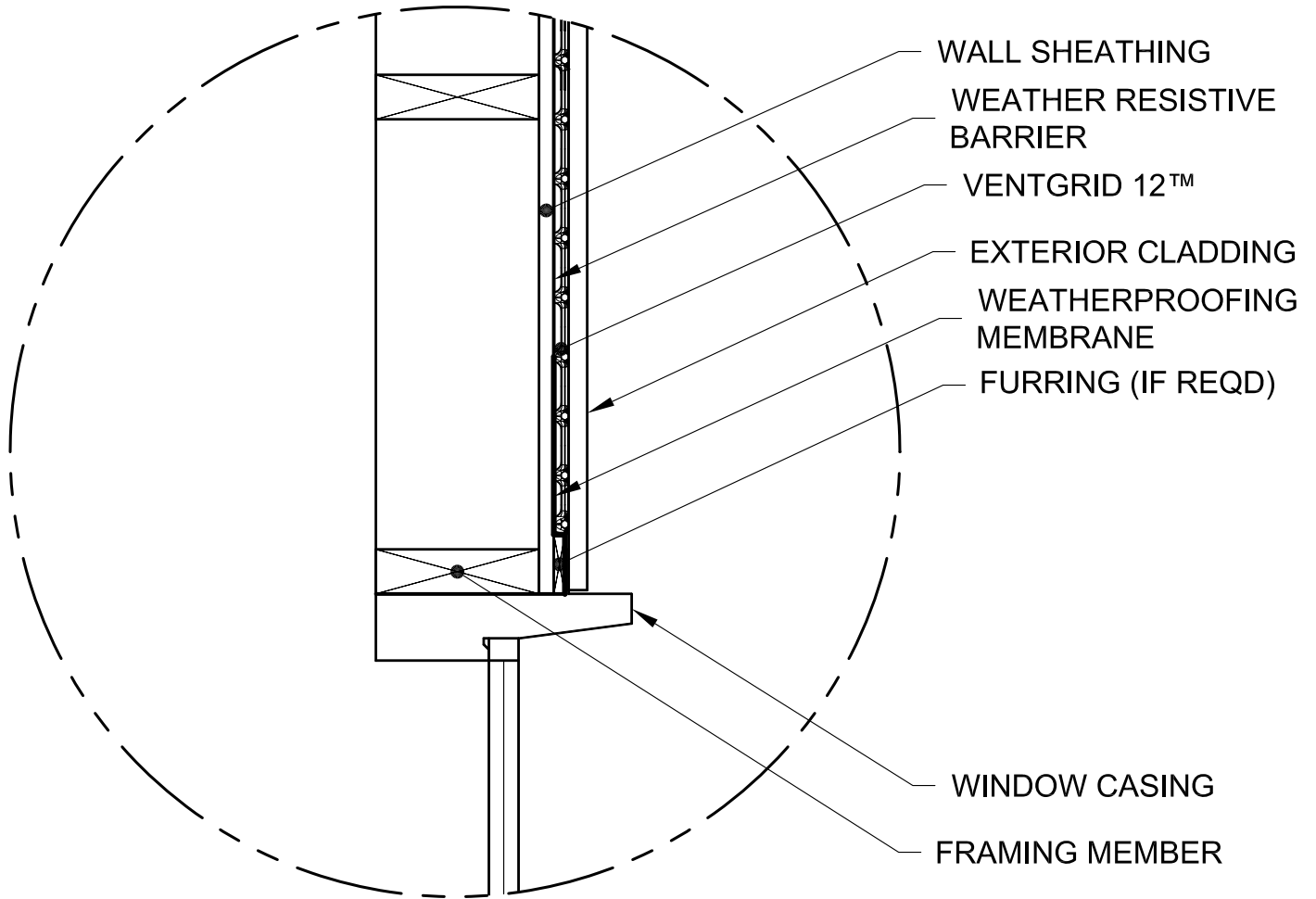
NOT TO SCALE

ASSEMBLY SHOWN WITH ADHERED CONCRETE MASONRY VENEER  
ON LATH AND MORTAR SCRATCH COAT

VG12-303







# WINDOW JAMB DETAIL

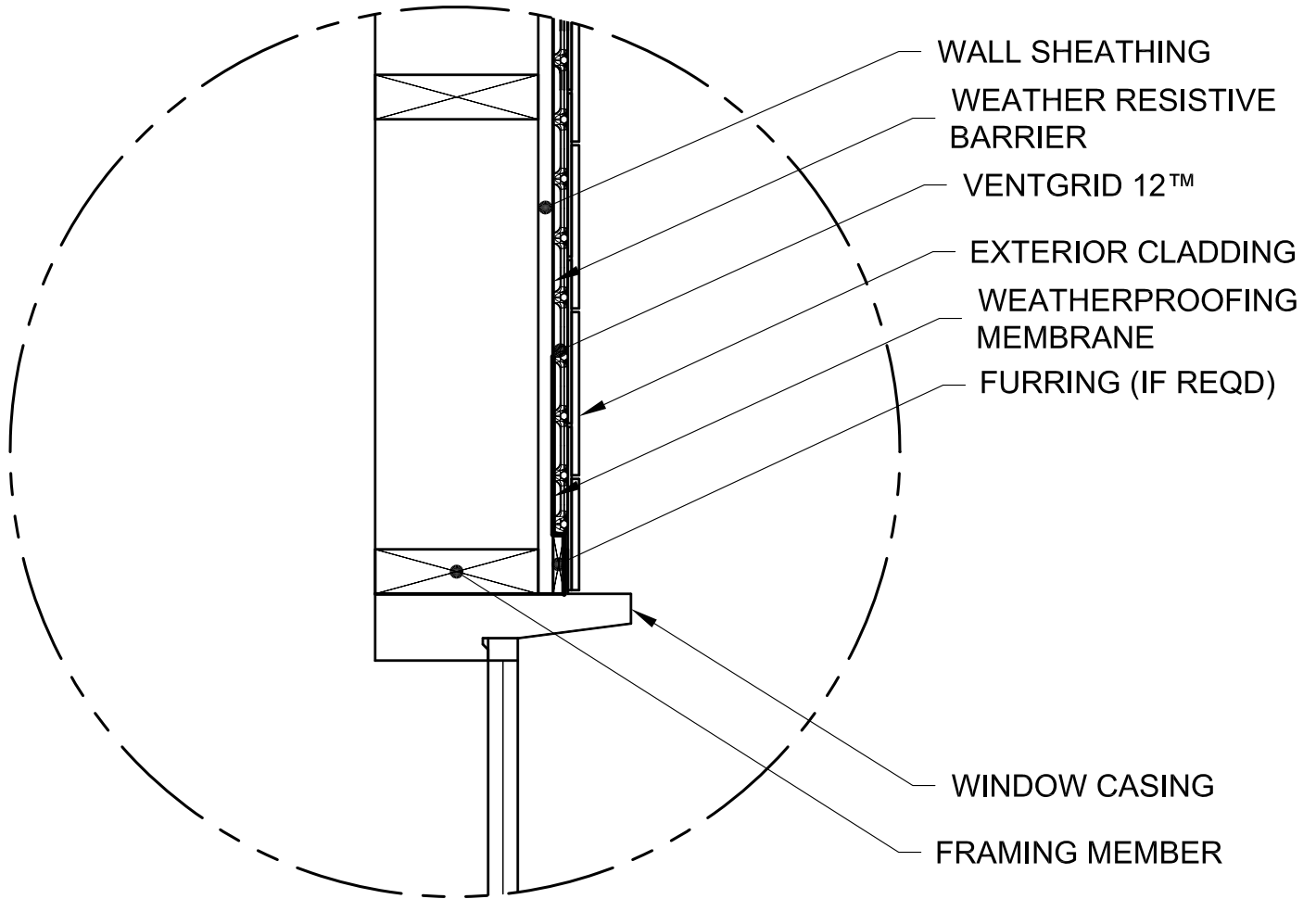
VENTGRID 12™

NOT TO SCALE

ASSEMBLY SHOWN WITH PROFILED WOOD SIDING

VG12-400





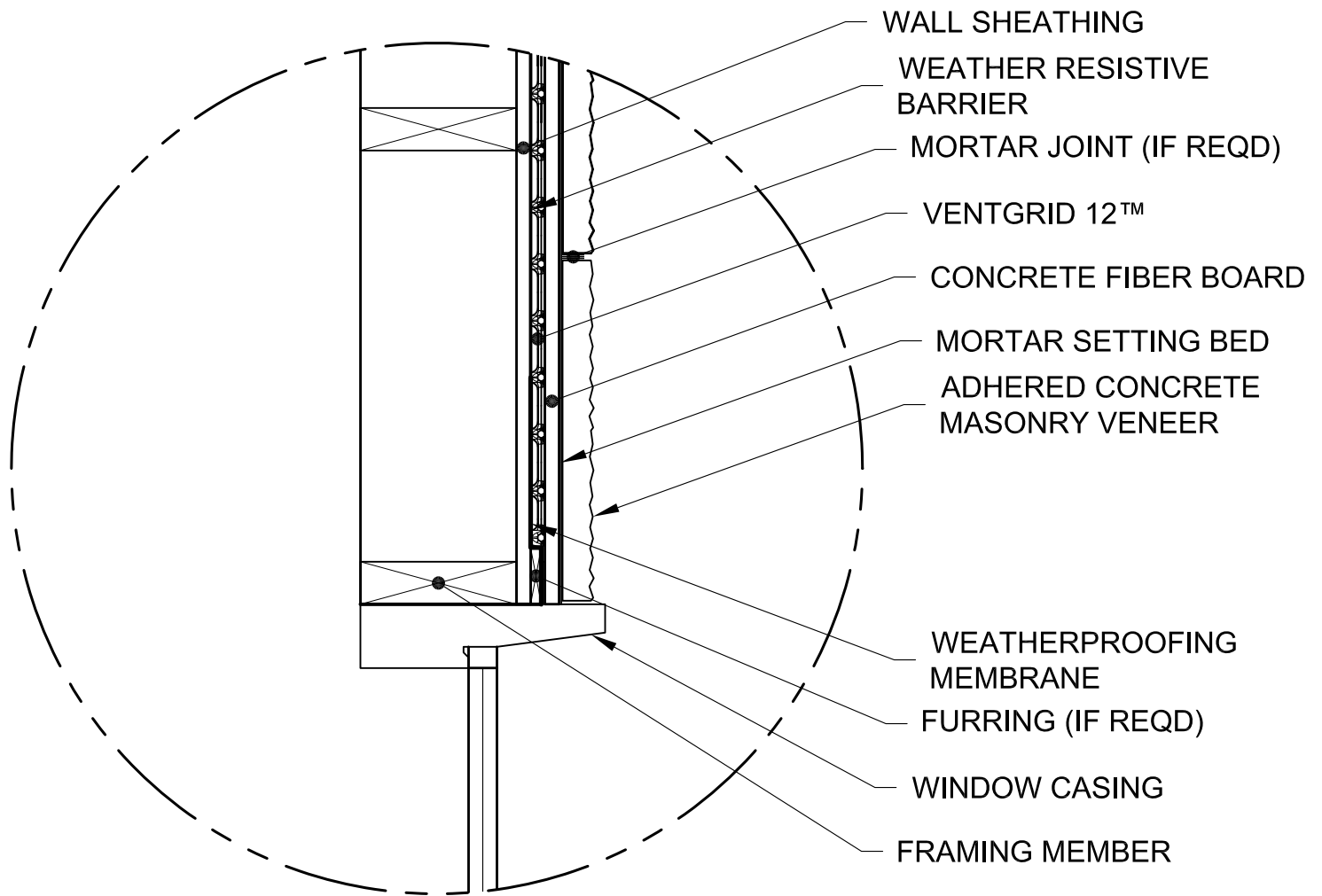
# WINDOW JAMB DETAIL

VENTGRID 12™

NOT TO SCALE

ASSEMBLY SHOWN WITH WOODEN SHINGLE SIDING

VG12-401



## WINDOW JAMB DETAIL

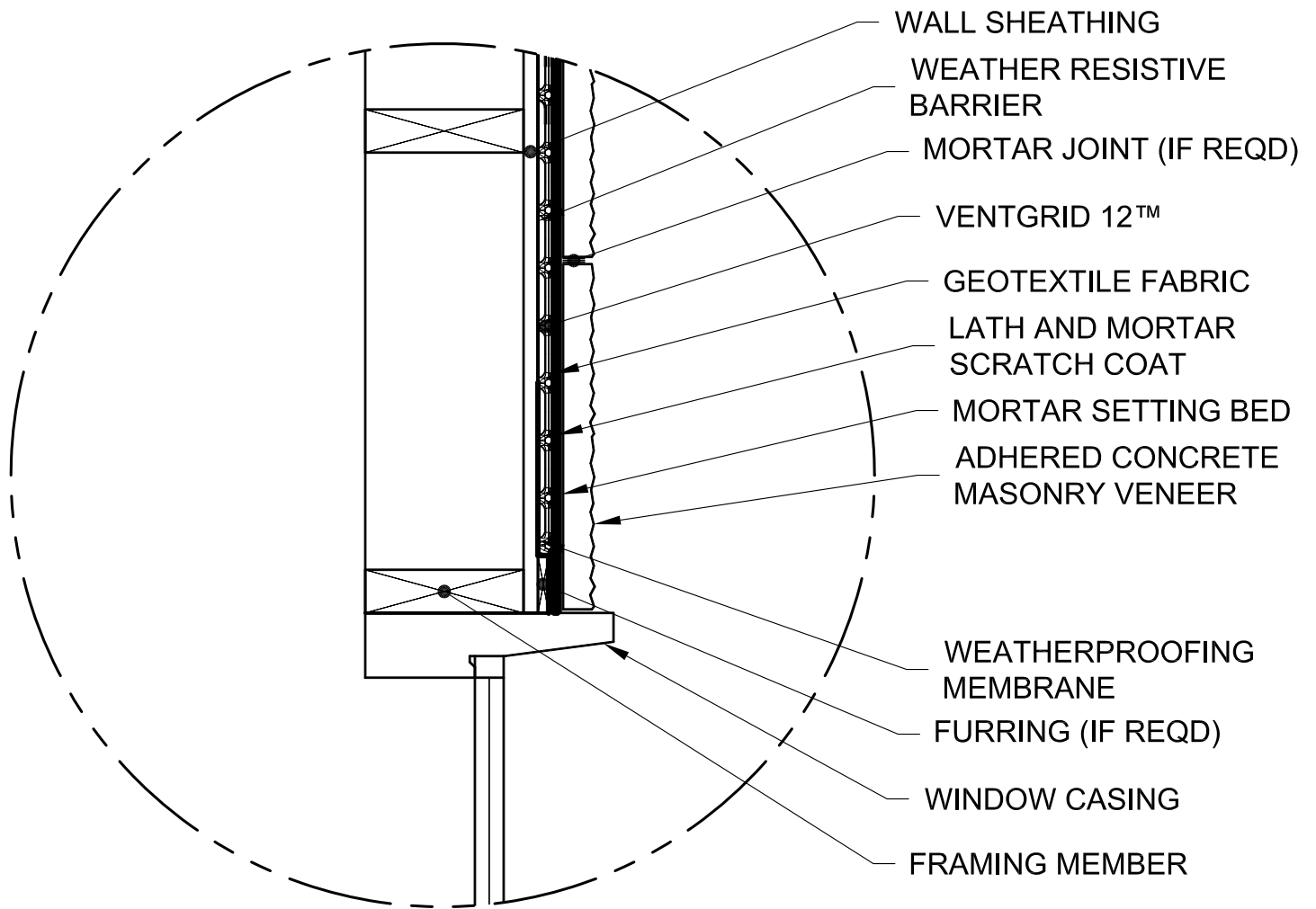
VENTGRID 12™

NOT TO SCALE

ASSEMBLY SHOWN WITH ADHERED CONCRETE MASONRY VENEER  
 ON CONCRETE FIBER BOARD

VG12-402





## WINDOW JAMB DETAIL

VENTGRID 12™

NOT TO SCALE

ASSEMBLY SHOWN WITH ADHERED CONCRETE MASONRY VENEER  
ON LATH AND MORTAR SCRATCH COAT

VG12-403

